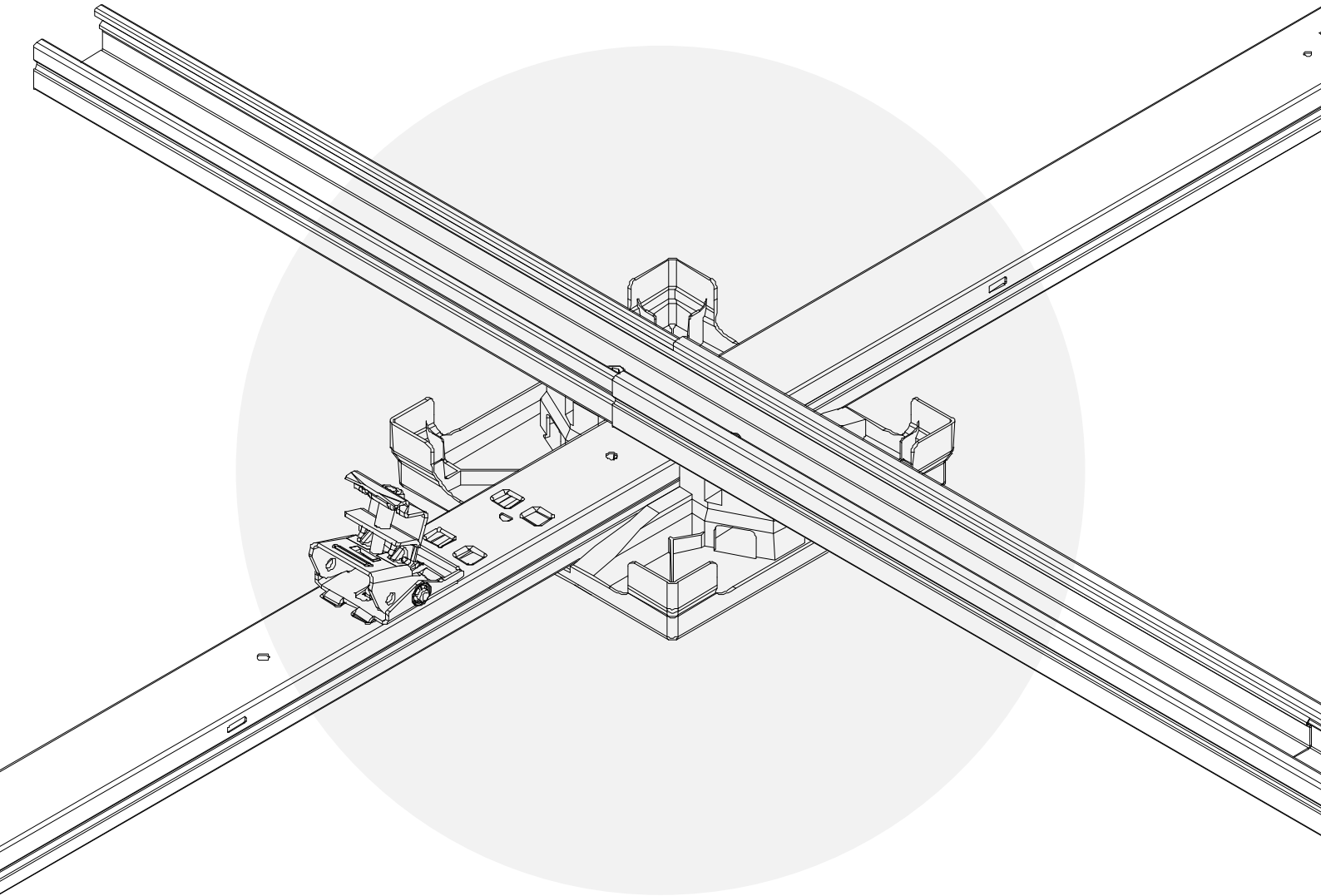


SCOTT EASY

PRODUCT DATASHEET



SCOTT  NORGE

IT'S THAT EASY.

SCOTT EASY - The outstanding PV mounting system for your project.
With two clamping options and innovative pivoting module mounting, it sets
new standards in quality, reliability and simplicity.

SCOTT EASY PRODUCT DATASHEET

PRODUCT BENEFITS

1 system – 2 clamping types	Edge clamping, quarter point clamping
Installation time	Fast assembly due to components with a high degree of preassembly
Easy assembly	User-friendly assembly with only one tool due to intuitive Push & Click technology
Easy handling	Particularly easy handling of large modules due to swivelling module mounting Less assembly effort
Easy maintenance	Easy assembly and disassembly of the modules System can be dismantled
Safe mounting	Mounting without leaning on the module no micro-cracks
EasyPlates	Large contact surface with little material EasyPlates are included in the guarantee No plasticiser migration = protection of the roof membrane
Low number of components	Higher material availability with simplified logistics
Roof load	No point load, but flat load Better load distribution due to large contact surface, approx. 600 cm ² per EasyPlate
Planning	Optimised use of space due to simplified recessing of interfering objects on the roof
Module fields	Large module fields (30 x 30m) possible
Production	Made in EU / Germany

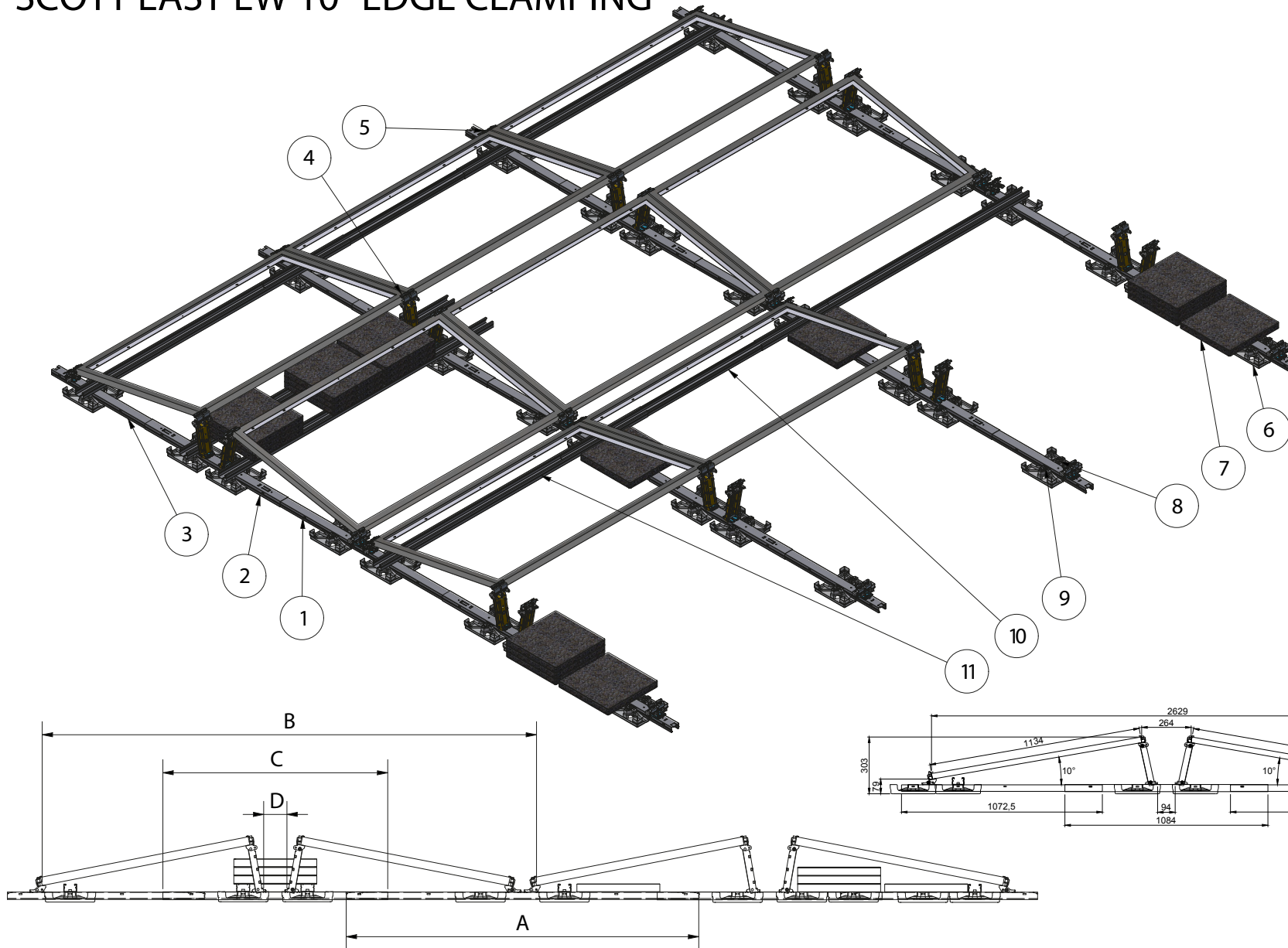
TECHNICAL DATA

Application type	Flat roof up to 5°
Roof inclination	10°
Orientation	East-West
Roof covering	Foil, bitumen
Standard spacing	2384mm/ 2504mm/ 2629mm / 2749mm
Weight	System surface load incl. module without ballast from 12.5 kg/m ²
EasyPlates	Protective Plate of PE-HD Recyclate No plasticizer migration
Material	Sheet steel S350GD / S550GD, Coating ZM310 PE-HD Recyclate
PV module suitability	All common module sizes Length = 1600 - 2500mm, Width = 990 - 1230mm Height = 30 - 40mm

Errors & omissions excepted, last update: 27.07.2023

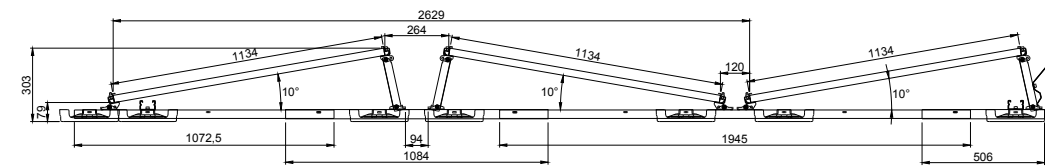
TECHNICAL DATASHEET

SCOTT EASY EW 10° EDGE CLAMPING



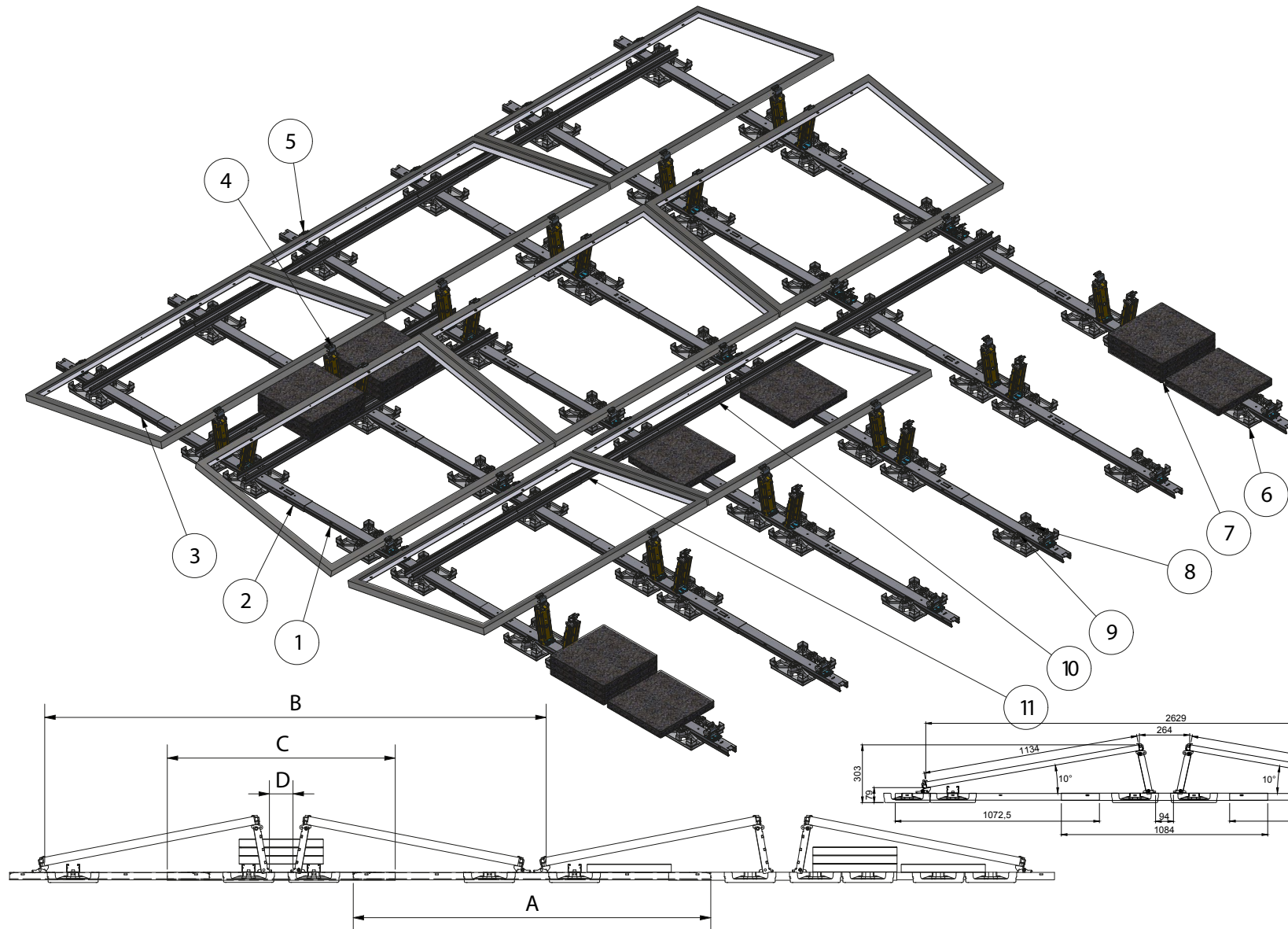
- Pcs
- 1 Swift Rail
 - 2 Swift Connector
 - 3 Swift Rail Short
 - 4 Summit Double
 - 5 Pivot Double
 - 6 Easy Plate
 - 7 EVC BS Typ 1
 - 8 DIN 9021 8,4
 - 9 ISO 4762 M8 x 25
 - 10 Row Link Edge
 - 11 Row Connector Edge

Maß A	Maß B	Maß C	Maß D
1700	2384	1084	112
1700	2484	1184	212
1820	2504	1084	112
1820	2604	1184	212
1945	2629	1084	112
1945	2729	1184	212
2065	2749	1084	112
2065	2849	1184	212



TECHNICAL DATASHEET

SCOTT EASY EW 10° QUARTER POINT CLAMPING



- Pcs
- 1 Swift Rail
 - 2 Swift Connector
 - 3 Swift Rail Short
 - 4 Summit Single
 - 5 Pivot Single
 - 6 Easy Plate
 - 7 EVC BS Typ 1
 - 8 DIN 9021 8,4
 - 9 ISO 4762 M8 x 25
 - 10 Row Connector
 - 11 Row Link

MODUL - SPRUNGMAßE			
Maß A	Maß B	Maß C	Maß D
1700	2384	1084	112
1700	2484	1184	212
1820	2504	1084	112
1820	2604	1184	212
1945	2629	1084	112
1945	2729	1184	212
2065	2749	1084	112
2065	2849	1184	212