

# SCOTT EVO 2.1 S

PRODUCT DATASHEET



SCOTT  NORGE

SO SIMPLE. SO FLEXIBLE. SO SAFE.

Uncompromising and innovative, Scott EVO 2.1 continues to set standards.  
Simplified mounting, certified safety and top quality performance –  
that's what we mean by NEXT LEVEL MOUNTING.

# SCOTT EVO 2.1 S PRODUCT DATASHEET

## PRODUCT BENEFITS

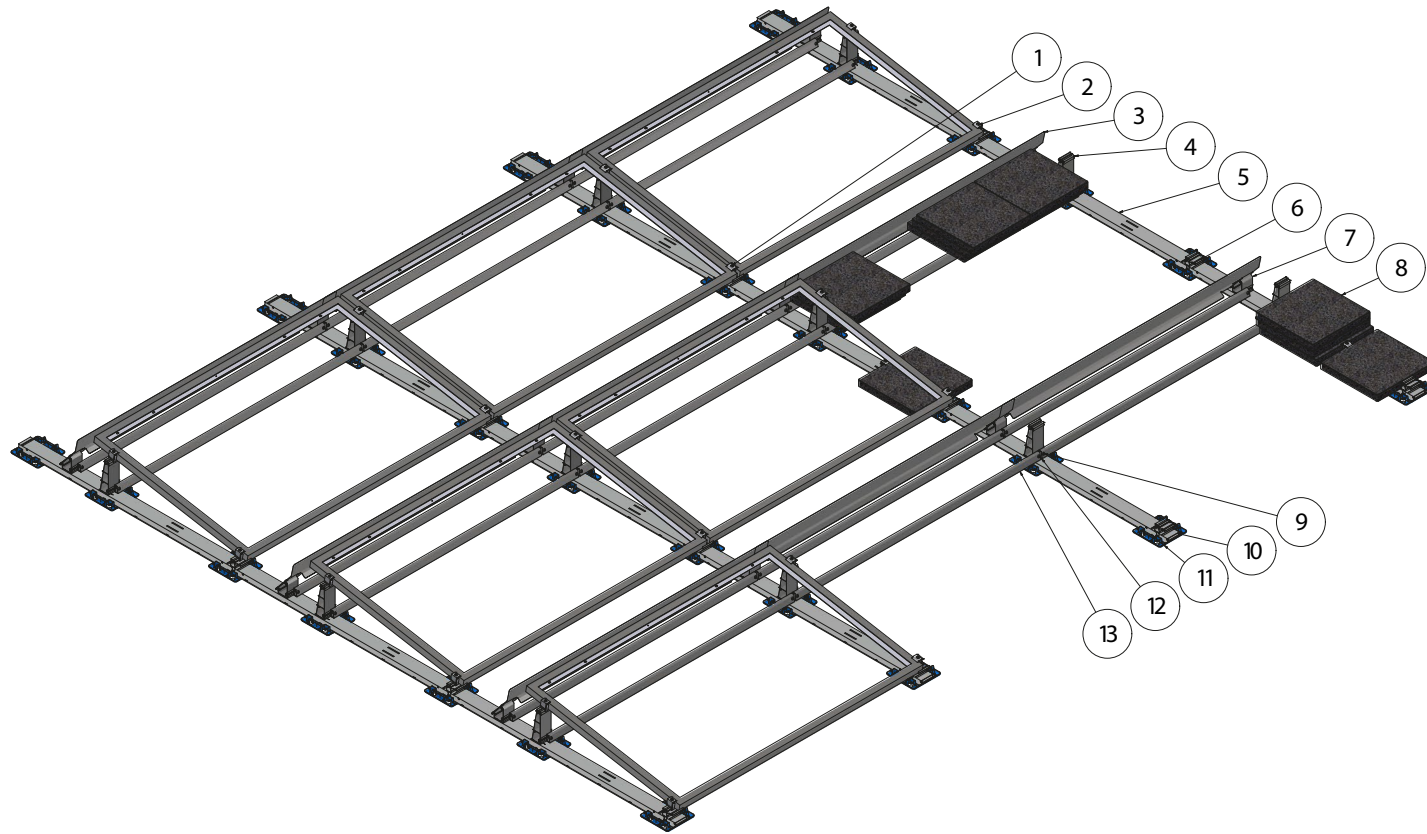
Ballast-optimised	Lower ballast requirement due to improved system stability and aerodynamics
Click technology	Easy installation due to twist-proof click connections
Maximum safety	Verification by abZ, latest wind tunnel tests, experimental component tests and current DIN standards
Optimal support surface	Continuous main profiles with ProPlates for improved distribution of loads
Lightning current carrying capacity	Lightning current carrying capacity verified according to DIN EN 62561 (VDE 0185-561-1):2013-02
Ideal cable routing	Integrated cable routing in module and rail direction directly on the system; separate routing +/- possible
Universal module and ballast clamp	Suitable for clamping ranges between 30 and 50 mm
Accessories	Ridge coupling in module and rail direction, route connection, mechanical fastening points, side cover, trapezoidal sheet adapter, center support and bracket for solar sensor

## TECHNICAL DATA

Application type	Flat roof up to 5° (special projects up to 10° possible)
Inclination	10° and 15°
Orientation	East-West
Roof covering	Foil, bitumen, sheet metal, concrete
Standard spacing	1500 mm/ 1650 mm/ 1800 mm
Weight	System surface load incl. module and ballast from 9.5 kg/m <sup>2</sup>
ProPlates	<ul style="list-style-type: none"><li>· Plate of PE-HD Recyclate</li><li>· No plasticizer migration</li></ul>
Certificates	<ul style="list-style-type: none"><li>· Lightning current carrying system according to DIN EN 62561 (VDE 185-561-1):2013-02</li><li>· General technical approval Z-14.4-790 for the complete system</li><li>· Low-resistance connection verification (&gt;1 Ω) for the entire system</li></ul>
Material	<ul style="list-style-type: none"><li>· Aluminium EN AW 6060 T66</li><li>· PE-HD Recyclate</li></ul>
Suitable Modules	All common PV module sizes: Width: 985– 1300 mm Length: 1550– 2340 mm Height: 30– 50 mm

# TECHNICAL DATASHEET

## SCOTT EVO 2.1 S



### COMPONENT LIST

No.	Component
1	MK Typ 40
2	EK Typ 40
3	EVO RW
4	EVO TT10
5	EVO 2.1 HBP
6	EVO B10
7	EVO RWT10
8	Ballast Stone
9	ISO 7380-1 - M10x30
10	EVO 2.1 AEBP
11	ProPlate
12	EVO QSV
13	EVO QBS

### ROW SPACING

Maß A	Maß B	Maß C
1468	1500	243
1468	1500	225
1618	1650	393
1618	1650	373
1618	1650	290
1768	1800	373
1768	1800	293

